



PRODRY

Introducing a New Generation of Desiccant Dryers | PD0046 to PD0360
Flow rates 45 scfm (77 Nm³/hr) to 360 scfm (612 Nm³/hr)

The all new Walker Filtration PRODRY models feature major design changes that deliver significant energy savings, dramatically reduced service times and optimum performance across the range.

Tested and validated to international standards, PRODRY's multi-voltage capabilities allow for worldwide installation.

Now with the option to upgrade to advanced dewpoint management for even greater operating efficiency - whatever your application requirement, PRODRY's optimum performance delivers a compressed air drying solution you can trust.

* Operating efficiency and energy savings based upon installing a DMC controller and running with a flow of 360 scfm (612Nm³/hr) at 7 barg (100 psig) inlet pressure and 35°C (95°F) inlet temperature, operating at 10% load for 6000 hours.

Optional DMC Controller delivering up to **81%** increase in operating efficiency and annual energy savings of up to **AUD\$21147***



Unique Purge Plug
Select orifice size to suit changing pressure requirements (Patent Pending)

Tower Pressure Gauges
Clearly visible diagnostics for accurate pressure readings

Optional DMC Controller
Advanced dewpoint management & energy savings

- 1 Dewpoint management sensor increases operating efficiency up to **81%** (fitted with DMC controller)
- 2 Top loading cartridge design and lifting handle for fast and efficient servicing
- 3 Compact modular design with built-in lifting hook
- 4 Multi-ported manifold for flexible installation
- 5 Advanced desiccant blend delivers optimised dewpoint and improved performance
- 6 Intelligent LED controller with built-in energy management (supplied as standard)
- 7 Anodised aluminum extrusions provides corrosion protection
- 8 Externally fitted silencers for dramatically reduced service time

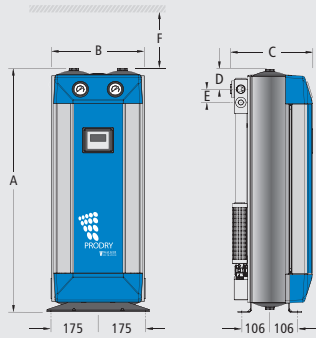




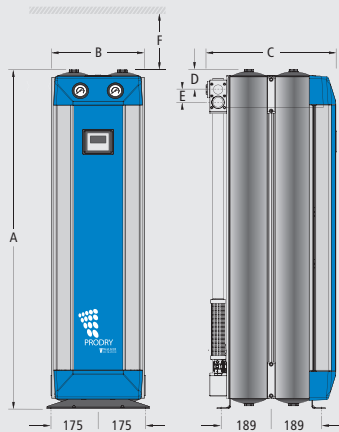
Technical Specification PD0046 - PD0360

Dryer model	Pipe size inches	Inlet flow rate*		Dimensions mm						Weight Kg	No. of cartridges	Recommended filter model	Model with Dewpoint Management Control**
		Nm ³ /hr	SCFM	A	B	C	D	E	F				
PD0046	1	77	45	655	380	310	76	50	600	46	2	A058XA	PD0046DMC
PD0056	1	94	55	735	380	310	76	50	700	51	2	A059XA	PD0056DMC
PD0075	1	128	75	905	380	310	76	50	850	62	2	A059XA	PD0075DMC
PD0090	1	153	90	1030	380	310	76	50	1000	70	2	A078XA	PD0090DMC
PD0110	1	187	110	1260	380	310	76	50	700	85	4	A079XA	PD0110DMC
PD0150	1	255	150	1595	380	310	76	50	850	105	4	A108XA	PD0150DMC
PD0180	1	306	180	1845	380	310	76	50	1000	122	4	A109XA	PD0180DMC
PD0220	1½	374	220	1260	380	490	76	62	700	154	8	A128XA	PD0220DMC
PD0300	1½	510	300	1596	380	490	76	62	850	195	8	A128XA	PD0300DMC
PD0360	1½	612	360	1845	380	490	76	62	1000	225	8	A159XA	PD0360DMC

* Stated flows are for an inlet pressure of 7 barg (100 psig) with reference to 20°C, 1 barg (abs.), 0% relative water vapour pressure. For flow at other pressures apply the appropriate correction factors, terms and dewpoint.
 ** For dewpoint management control state 'DMC' when asked what controller type you require upon placing your order.



Models PD0046-PD0180



Models PD0220-PD0360

Specification

Standard pressure dewpoint	-40°C	-40°F
Optional pressure dewpoint	-20°C	-4°F
	-74°C	-100°F
Minimum working pressure	4 barg	58 psig
Maximum working pressure	13 barg	188.5 psig
Electronic control (LED)	115 or 230 VAC at 50-60Hz	
Dewpoint control (DMC)	24 VDC	
Minimum inlet temperature	1.5°C	35°F
Maximum inlet temperature	50°C	122°F

Dryer correction factors

Operating pressure (PCF)

barg	4	5	6	7	8	9	10	11	12	13
psig	58	72	87	100	115	130	145	160	174	189
Correction factor	0.62	0.75	0.87	1	1.12	1.25	1.37	1.5	1.62	1.75

Temperature (TCF)

Celsius (°C)	20	25	30	35	40	45	50
Fahrenheit (°F)	68	77	86	95	104	113	122
Correction factor	1.3	1.2	1.1	1	0.75	0.65	0.45

Pressure dewpoint (DCF)

Celsius (°C)	-20	-30	-40
Fahrenheit (°F)	-4	-22	-40
Correction factor	1.23	1.2	1

Pressure dewpoint (DCF) (7)

Celsius (°C)	-70	-74
Fahrenheit (°F)	-94	-100
Correction factor	0.8	0.77

Technical notes

- On Models PD0046 – PD0360 Walker Filtration recommends that an XA (0.01 micron) pre-filter, is installed upstream of the dryer and an RXA (0.01 micron) dust filter is installed downstream of the dryer.
- An appropriate Water Separator must be installed. If bulk water enters the adsorption dryer, it can cause heat expansion to the desiccant, substantial rise in the dryer differential pressure, lead to poor outlet dewpoint, and cause potential dryer failure.
- All dryer applications and sizing should be confirmed by Walker Filtration. Please contact nearest sales team for information on recommended sizing and air quality for your application need.
- Dewpoint Management Control (DMC) option includes digital dewpoint display and dewpoint sensor, providing advanced dryer control based on outlet dewpoint.
- Floor fixing dimensions are given in the above illustrations.
- For PRODRY sizing and further information on service kits and accessories, please refer to the PRODRY price guide or brochure.
- High Performance Cartridges are required for applications where -70° and -74°C dewpoints are required

Walker Filtration Ltd
 Birtley Road, Washington,
 Tyne & Wear, NE38 9DA,
 United Kingdom.
 t: +44 (0) 191 417 7816
 f: +44 (0) 191 415 3748
 e: sales@walkerfiltration.co.uk
 www.walkerfiltration.com

Walker Filtration Inc
 4748 Pacific Avenue,
 Erie, PA 16506,
 USA.
 t: +1 814 836 2900
 f: +1 814 836 7921
 e: usa@walkerfiltration.com
 www.walkerfiltration.com

Walker Filtration PTY Ltd
 16-18 Lindon Court,
 Tullamarine, Victoria, 3043,
 Australia.
 t: +61 (0) 3 9330 4144
 f: +61 (0) 3 9330 4177
 e: sales@walkerfiltration.com.au
 www.walkerfiltration.com.au

Walker Filtration Ltd Japan
 WBC Room 18, World Porters 6F,
 2-2-1 Shinko, Naka-ku,
 Yokohama, 231-0001, Japan.
 t: +81 (0) 45 305 4010
 f: +81 (0) 45 305 4080
 e: japan@walkerfiltration.com
 www.walkerfiltration.com

