

TEC-11®

Electronic timer controlled filter drain

PRODUCT FEATURES

The TEC-11 removes condensate from compressed air filters, dental- and hobby compressors using a solenoid valve in combination with an electronic timer.



Due to its clever in-line design, fixed ON cycle and adjustable OFF cycle, the TEC-11 is widely applied on ALL types of compressed air filters, regardless of their capacity or size.

The 2/2 way direct acting valve assembly and FPM seals ensure a reliable and long life operation.

The TEC-11 is the perfect solution to replace the manual- and float type drains, which we believe are not reliable as they either block up the compressed air system or leak continuously.

**In-line design
to suit all
compressed
air filters!**

COMMERCIAL BENEFITS

- Suitable for all compressed air filters up to any size.
- Clever in-line design.
- Does not air-lock during operation.
- Only 1 model needed for all types of filters – reducing your stocking costs.
- Low stocking cost advantages for you and a low purchase threshold for your customers.
- Easy adaptable to ensure virtually all end-user requirements can be fulfilled.
- Pressure range up to 16 bar.

TECHNICAL ADVANTAGES

- Premium components selected to ensure the highest reliability.
- Fixed ON cycle and an adjustable OFF cycle.
- TEST (micro-switch) feature.
- Incredibly simple and quick to install and service.
- Connection sizes 1/8" & 1/4".
- FPM valve seals.
- Fully automatic operation.

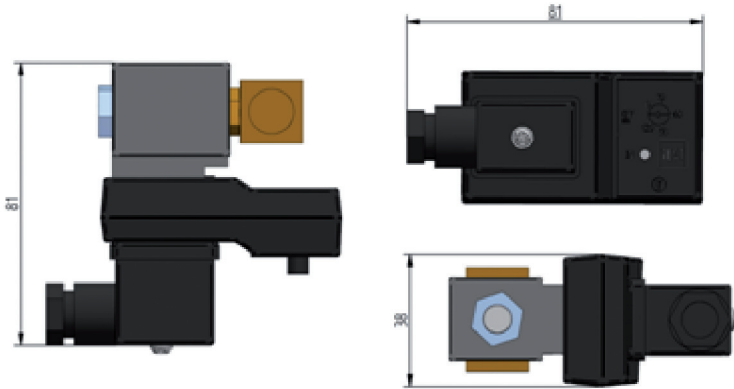
Opportunity:

Although the TEC-11 is designed for filters, it is also a reliable and competitive draining solution for small dental- and hobby compressors that are typically equipped with manual drains. Upgrade now to a fully automatic solution to ensure an essential duty will not be neglected.

TEC-11®

Electronic timer controlled filter drain

DIMENSIONS (mm)



SPECIFICATIONS

TIMER

| | |
|--------------------------|--------------------------------|
| Interval time | 1.2 to 120 minutes, adjustable |
| Discharge time | 2 seconds, fixed |
| Supply voltage options | 12 to 380 VAC/DC 50/60Hz |
| Current consumption | 7 mA maximum |
| Operating temperature | -40° C to +60° C |
| Environmental protection | IP65 (NEMA4) |
| Housing material | ABS plastic FR grade |
| Connection | DIN 43650 - B/ISO 6952 |
| Indicator | 1 LED (yellow), indicating ON |

VALVE

| | |
|------------------------------|-------------------------------------|
| Type | 2/2 way direct acting |
| In/Out ports | 1/8" and 1/4", BSP or NPT |
| Min./Max. working pressure | 0-16 bar (optional up to 21 bar) |
| Min./Max. temperature | +2° C to +55° C |
| Medium temperature | Max. +55° C |
| Valve body | Brass, orifice 2.0 mm |
| Supply voltage options | 12 - 380 VAC/DC, 50/60 Hz (100% ED) |
| Coil Insulation Grade | H-grade |
| Environmental protection | IP65 (NEMA4) |
| Valve seals | FPM |
| See coil for correct voltage | Voltage tolerance +/- 10% |



In-line design.



Private labeling available.



Voltage options ranging from 12 to 380VAC/DC 50/60Hz.



Available with power cable and adapter.

JORC IS ISO 9001:2008 CERTIFIED



Information provided herewith is believed to be accurate and reliable. However, no responsibility is assumed for its use or for any infringement of patents or rights of others, which may result from its use. In addition, JORC reserves the right to revise information without notice and without incurring any obligation.

JORC Industrial BV
 Pretoriastraat 28
 NL-6413 NN Heerlen
 The Netherlands

Tel +31 45 524 24 27
 Fax +31 45 524 19 79
 E-mail info@jorc.nl
 http:// www.jorc.eu