

KAPTIV[®]-CS

Electronic level sensed condensate drain with alarm function

PRODUCT FEATURES

The KAPTIV-CS (compact solution) is a compact electronically operated level sensed condensate drain which offers zero air-loss during the condensate discharge cycle.

The KAPTIV-CS is cost effective and offers a rapid pay-back period due to a competitive pricing level, low stocking cost, zero air-loss and energy saving aspects.

The KAPTIV-CS can be installed in all compressed air system components up to 100 m³/min regardless size and climate zone – Only 1 model needed!

The new and improved design, the robust industrial housing, the alarm feature and the 2/2 way direct acting valve assembly make the KAPTIV-CS a reliable solution for all compressed air system applications.

The KAPTIV-CS offers an integrated mesh strainer (to prevent large particles from entering the valve orifice), is easy to disassemble and is service friendly.

The alarm feature can be connected to the WARNER[®] to never miss out on periodic maintenance opportunities.



New and improved design!

COMMERCIAL BENEFITS

- Competitive compact zero air-loss draining solution.
- Capacitive level sensing technology saves air, energy and money.
- Rapid pay-back period due to competitive pricing level and reduced stocking costs.
- 1 model covers up to 100m³/min. compressor capacity.
- No sizing charts required.
- The KAPTIV-CS can be connected to the WARNER[®].
- Special module colour available for private label branding purposes.
- Operating pressure up to 16 bar.

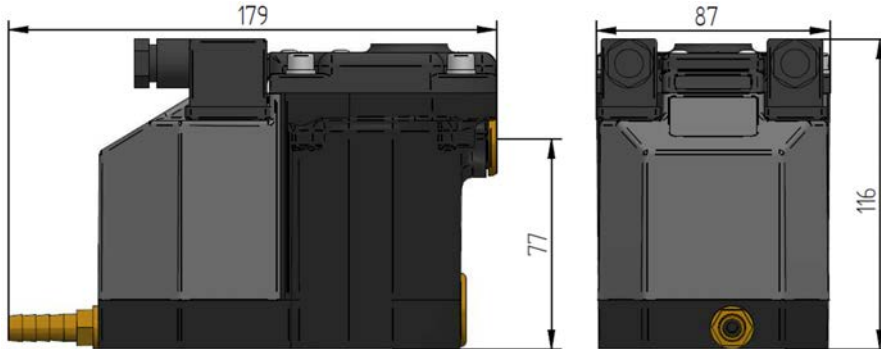
TECHNICAL ADVANTAGES

- Alarm function (NO or NC) as a standard.
- Successful draining of condensate due to large orifice (also heavily emulsified condensate).
- Easy installation.
- Visual display of operating status.
- Integrated strainer.
- Direct acting valve assembly, ensuring reliable discharge operation.
- Robust aluminium housing.

KAPTIV[®]-CS

Electronic zero air loss condensate drain with alarm function

DIMENSIONS (mm)



Multiple (3) inlet options

SPECIFICATIONS

Maximum compressor capacity	100 m ³ /min.
Min./max. system pressure	0 bar / 16 bar
Valve type	2/2 way, direct acting
Valve orifice	4.0 mm
Valve seals	FPM
Inlet connection	1/2" (BSP or NPT)
Outlet connection	1/4" (BSP or NPT)
Inlet height	11 cm (top) and 1.5 & 7.5 cm (side)
Minimum medium temperature	1 °C
Maximum medium temperature	50 °C
Supply voltage options	230VAC / 115VAC 24VAC / 24VDC
Connectors	DIN 43650-B
Serviceable valve	Yes
TEST feature	Yes
Environmental protection	IP65 (NEMA4)
Integrated mesh strainer	Yes
Alarm contact options	Alarm Normally Closed (NC) / Alarm Normally Open (NO)



Integrated mesh strainer to protect the valve.



Easy to disassemble, for installation and servicing purposes



JORC IS ISO 9001:2008 CERTIFIED



Information provided herewith is believed to be accurate and reliable. However, no responsibility is assumed for its use or for any infringement of patents or rights of others, which may result from its use. In addition, JORC reserves the right to revise information without notice and without incurring any obligation.

JORC Industrial BV
 Pretoriastraat 28
 NL-6413 NN Heerlen
 The Netherlands

Tel +31 45 524 24 27
 Fax +31 45 524 19 79
 E-mail info@jorc.nl
[http:// www.jorc.eu](http://www.jorc.eu)