

BF SERIES

WELDED CARBON STEEL COMPRESSED AIR FILTERS

16 bar
operating pressure

1680 to 31400 Nm³/h
volume flow rate

DN80 to DN300
connections

1,5 to 65°C
operating temperature range

RAL 5012
standard colour

DESCRIPTION

BF filters are designed for protection of the downstream compressed air system and equipment against defects and other failures. Due to their robust welded carbon steel construction, are used for installation in heavy industrial applications with high air flows.

They ensure high efficient removal of solid particles, water, oil aerosols, hydrocarbons, odour and vapours from compressed air systems up to 16 bar. For any other technical gas please contact producer or your local distributor.

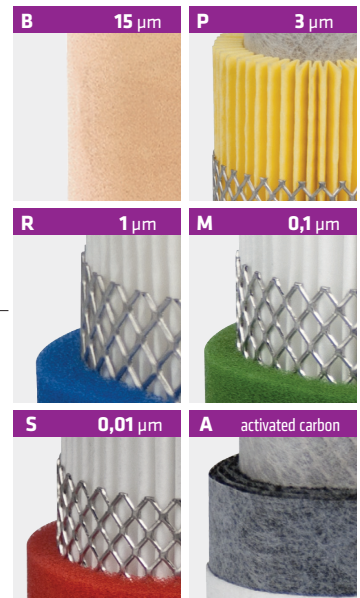
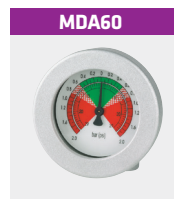
Required compressed air quality according to standard ISO 8571-1 can be achieved with 6 different grades of filter elements (B, P, R, M, S and A).

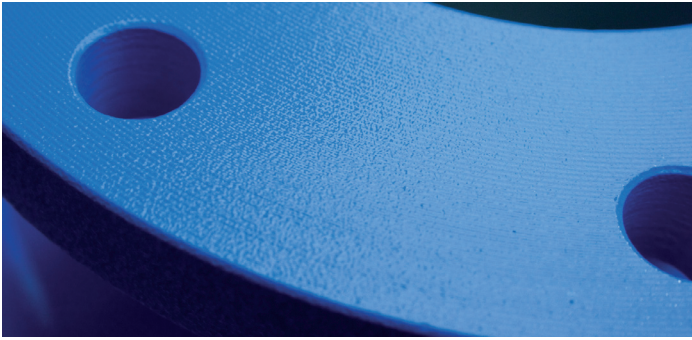
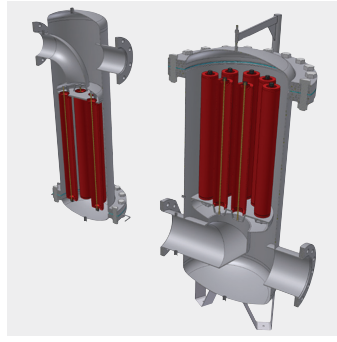
Optional external condensate drains should be used for efficient condensate draining from filter housing.

Fluid group 1 on request.

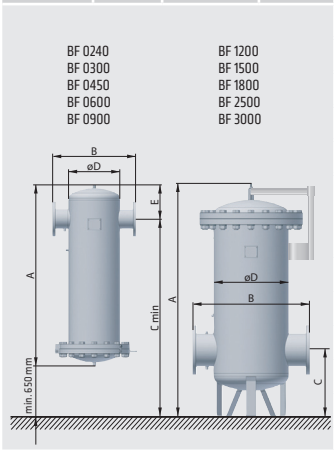
APPLICATIONS

- General industrial applications
- Automotive
- Electronics
- Food and beverage
- Chemical
- Petrochemical
- Plastics
- Paint





TECHNICAL DATA											FILTER ELEMENTS						
Filter housing size	Pipe size	Max. oper. pressure	Flow rate at 7 bar(g), 20 °C		Dimensions [mm]					Mass	B	P	R	M	S	A	
	DN		bar/psi	Nm³/h	scfm	A	B	C	D		E	kg	sintered 15 µm	prefilter 3 µm	prefilter 1 µm	microfilter 0,1 µm	microfilter 0,01 µm
BF 0240	80	16/232	1.680	989	1170	450	1645	219	177	61	1×76090 B15	1×76090 P	1×76090 R	1×76090 M	1×76090 S	1×76090 A	
BF 0300	100	16/232	3.150	1.853	1340	560	1780	324	227	115	2×76090 B15	2×76090 P	2×76090 R	2×76090 M	2×76090 S	2×76090 A	
BF 0450	125	16/232	4.700	2.765	1340	560	1780	324	227	123	3×76090 B15	3×76090 P	3×76090 R	3×76090 M	3×76090 S	3×76090 A	
BF 0600	150	16/232	6.300	3.706	1425	620	1810	368	265	178	4×76090 B15	4×76090 P	4×76090 R	4×76090 M	4×76090 S	4×76090 A	
BF 0900	150	16/232	9.400	5.530	1480	680	1850	419	650	218	6×76090 B15	6×76090 P	6×76090 R	6×76090 M	6×76090 S	6×76090 A	
BF 1200	200	16/232	12.550	7.382	1835	792	510	508	-	320	8×76090 B15	8×76090 P	8×76090 R	8×76090 M	8×76090 S	8×76090 A	
BF 1500	200	16/232	15.700	9.235	1880	918	535	610	-	455	10×76090 B15	10×76090 P	10×76090 R	10×76090 M	10×76090 S	10×76090 A	
BF 1800	250	16/232	18.850	11.088	1950	955	555	610	-	500	12×76090 B15	12×76090 P	12×76090 R	12×76090 M	12×76090 S	12×76090 A	
BF 2500	250	16/232	25.100	14.765	2060	1042	645	711	-	590	16×76090 B15	16×76090 P	16×76090 R	16×76090 M	16×76090 S	16×76090 A	
BF 3000	300	16/232	31.400	18.481	2130	1085	680	711	-	684	20×76090 B15	20×76090 P	20×76090 R	20×76090 M	20×76090 S	20×76090 A	
											quality class - solids (ISO 8573-1)	7	6	3	2	1	1 ³⁾
											residual oil content [mg/m³]	-	-	-	<0,1	<0,01	<0,005
											quality class - oils (ISO 8573-1)	-	-	-	2	1	1
											pressure drop - new element [mbar / psi]	20 / 0,290	10 / 0,145	20 / 0,290	50 / 0,725	80 / 1,160	60 / 0,870
											change filter cartridge at pressure drop [mbar / psi]	¹⁾	350 / 5,07	350 / 5,07	350 / 5,07	350 / 5,07	6 months ²⁾
											filter media	sintered brass	acrylic fibres, cellulose	borosilicate micro fibres			activated carbon
											pleated version	-	✓	✓	✓	✓	-
											wrapped version	-	-	-	-	-	✓
											sintered version	✓	-	-	-	-	-
											min. operating temperature (°C / °F)	1,5 / 35	1,5 / 35	1,5 / 35	1,5 / 35	1,5 / 35	1,5 / 35
											max. operating temperature (°C / °F)	65 / 149	65 / 149	65 / 149	65 / 149	65 / 149	45 / 113



CORRECTION FACTORS																
Operating pressure [bar]	2	3	4	5	6	7	8	9	10	11	12	13	14	15	16	
Operating pressure [psi]	29	44	58	72	87	100	115	130	145	160	174	189	203	218	232	
Correction factor	0,38	0,50	0,63	0,75	0,88	1	1,13	1,25	1,38	1,50	1,63	1,75	1,88	2,00	2,13	

¹⁾ "B" filter element can be cleaned with ultrasonic bath or with back flushing. Intervals of cleaning depends of application. If necessary replace filter element with new one.
²⁾ Filter elements "A" must be changed periodically to suit application, but at least every 6 months. Activated carbon filters must not operate in oil saturated conditions.
³⁾ Valid if "S" filter cartridge is installed upstream.
 Models BF 0240 to BF 0900 can be produced with optional integrated support legs, which should be noticed at order.